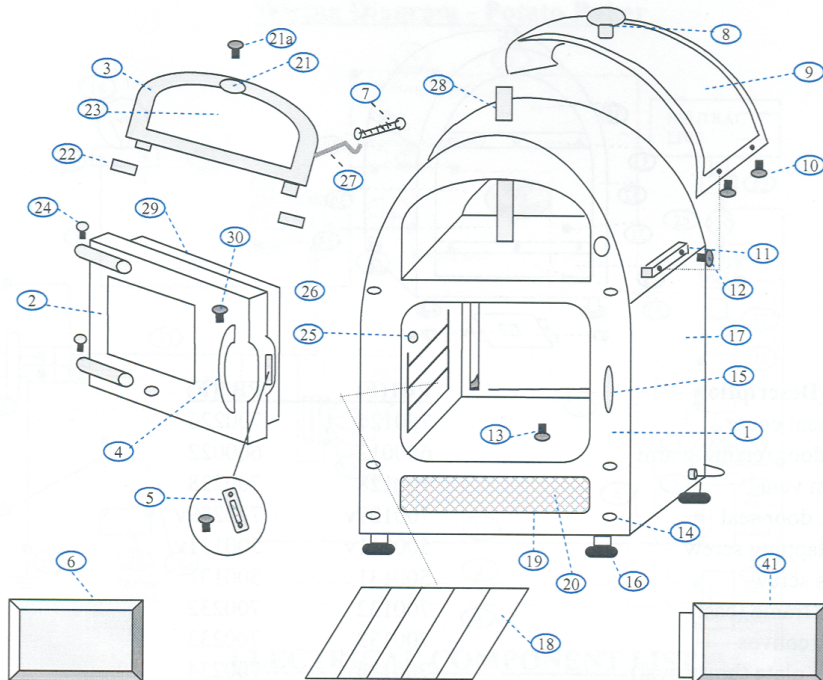


# Teileliste

Name: Potato Baker

Art.-Nr. 05-51202

Seite 1/3



## OVEN COMPONENT LIST FOR POTATO BAKERS PB1(F) & PB2(F)

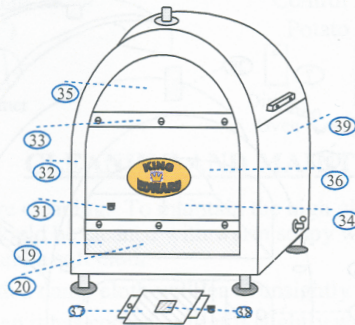
Index No	Part Description	PB1(F)	PB2(F)
1	Door Frame (cast)	700101v	700201v
2	Main oven door (cast)	700102v	700202v
3	Top oven door (cast)	700103v	700203v
4	Door handle (cast)	700104	700204
5	Door catch	500115v	500115v
6	Crumb tray	500105v	500205v
7	Top door retaining spring	500126	500126
8	Funnel (brass)	700108v	700208v
9	Canopy (brass trimmed)	700109v	700209v
10	Roundhead screw (brass)	500110	500110
11	Side block	500111	500111
12	Socket screw M6	500112	500112
13	Roundhead screw	500113	500113
14	S/s screw hexhead	500114	500114
15	Door catch stud	500115v	500115v
16	Brass foot rubber insert	500116	500116
17	Right painted panel	700117r	700217r
18	Wire tray (255x315mm; 300x358mm)	700118v	700218v
19	Gallery (brass)	700119	700219
19a	Fireglow Bulb	190207a	190207a
20	Painted Flemish glass	700120	700220
21	Door knob	500221	500221
21a	M6 screw c/s s/s	500121a	500121a
22	Door pins	700122	700122
23	Top door glass	700123v	700220
24	Door pins	700122	700122
25	M6 element cover nut	700125	700125

# Teileliste

Name: Potato Baker

Art.-Nr. 05-51202

Seite 2/3

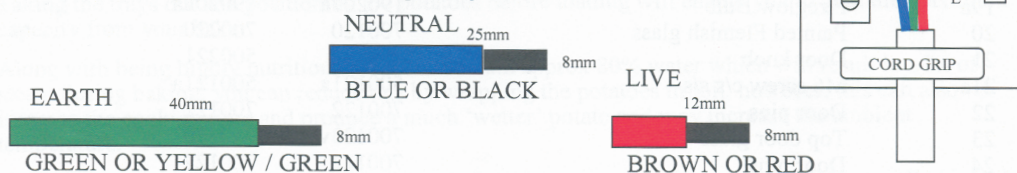


No	Part Description	PB1(F)	PB2(F)
26	Element cover	700126	700226
27	Top door retaining arm	600012	600022
28	Steam vent	700128	700228
29	Main door seal	700129v	700229v
30	Self tapping screw	500111v	500111v
31	Brass screw	500131	500131
32	Front frame (cast)	700132	700232
33	Brass convex	700133	700233
34	Name plate (brass oval)	700134	700234
35	Front D glass	700135	700235
36	Front panel (painted)	700136v	700136v
37	Galv. Access panel	700137	700237
38	Galv. Bulb cover panel	700138	700238
39	Painted side panel (left)	700139v	700239v
40	90 minute timer	T90	T90
41	Solid baking tray (optional)	700141	700241

## WIRING INSTRUCTIONS

- Prepare all 3 wires using trimming template
  - Loosen cord grip
  - Wire in the sequence N. L. E.
  - Ensure terminal screws are tight
  - Fit 13 amp (Brown) fuse
  - Tighten cord grip onto cord before replacing cover
- Always use the correct fuse.*  
*If in doubt contact a qualified electrician*

**THIS APPLIANCE MUST  
BE EARTHED**





# Teileliste

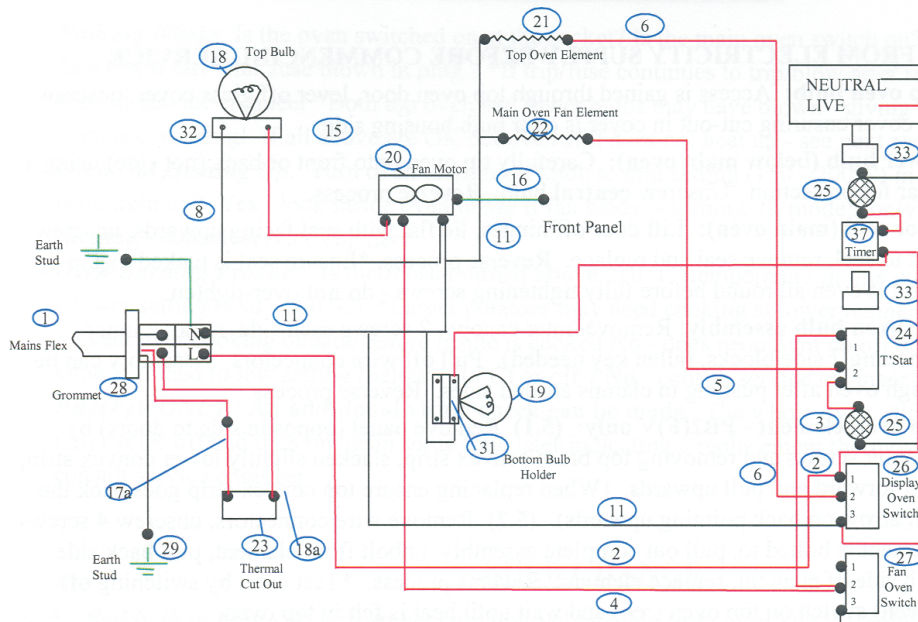
Name: Potato Baker

Art.-Nr. 05-51202

Seite 3/3



## Wiring Diagram - Potato Baker



## ELECTRICAL COMPONENT LIST

Index No	Part Description	PB1(F)	PB2(F)
1	Mains flex GB (Euro 301)	190201	190201
2	Wire Red	700302v	700402v
4	Wire Red	700303v	700403v
5	Wire Red	700305v	700405v
6	Wire Red	700307v	700407v
8	Wire Red	700308v	700408v
11	Wire Black	700311v	700411v
15	Wire Green/Yellow	700315v	700415v
16	Wire Green/Yellow	700316v	700406v
17	Mains Connector	190306v	190306v
17a	Wire Red	700417	700417
18	Top bulb (high temp)	400125	400125
18a	Wire Red	700418	700418
19	F/glow bulb GB (Euro 307)	190207	190207
20	Fan motor	700000	700000
21	Top oven element	n/a	700022
22	Main oven fan element	700001	7000022
23	Thermal cut-out	190222	190222
24	Thermostat	190303v	190303v
25	Neon indicator (with tails)	190305a	190305a
26	Switch (Red)	n/a 26	190001a
28	Grommet	190000v	190000v
29	Earth Stud	190310	190310
30	Bracket GB (Euro 418)	190308	190308
31	Bulbholder GB (Euro 418)	190318	190318
32	Square top bulbholder	500121	500121
32a	Square top lens	500120	500120
33	Thermostat knob	190304	190304
34	Wire red	700334	700334
35/36	Neon with wires	190303a	190303a
37	Timer (90 minutes)	T90	T90