

***Neumärker***®



Lohstr. 13 - 58675 Hemer / Postfach 4063 - 58663 Hemer  
Telefon: +49 2372 9274-0 Fax: +49 2372 3304  
DEUTSCHLAND

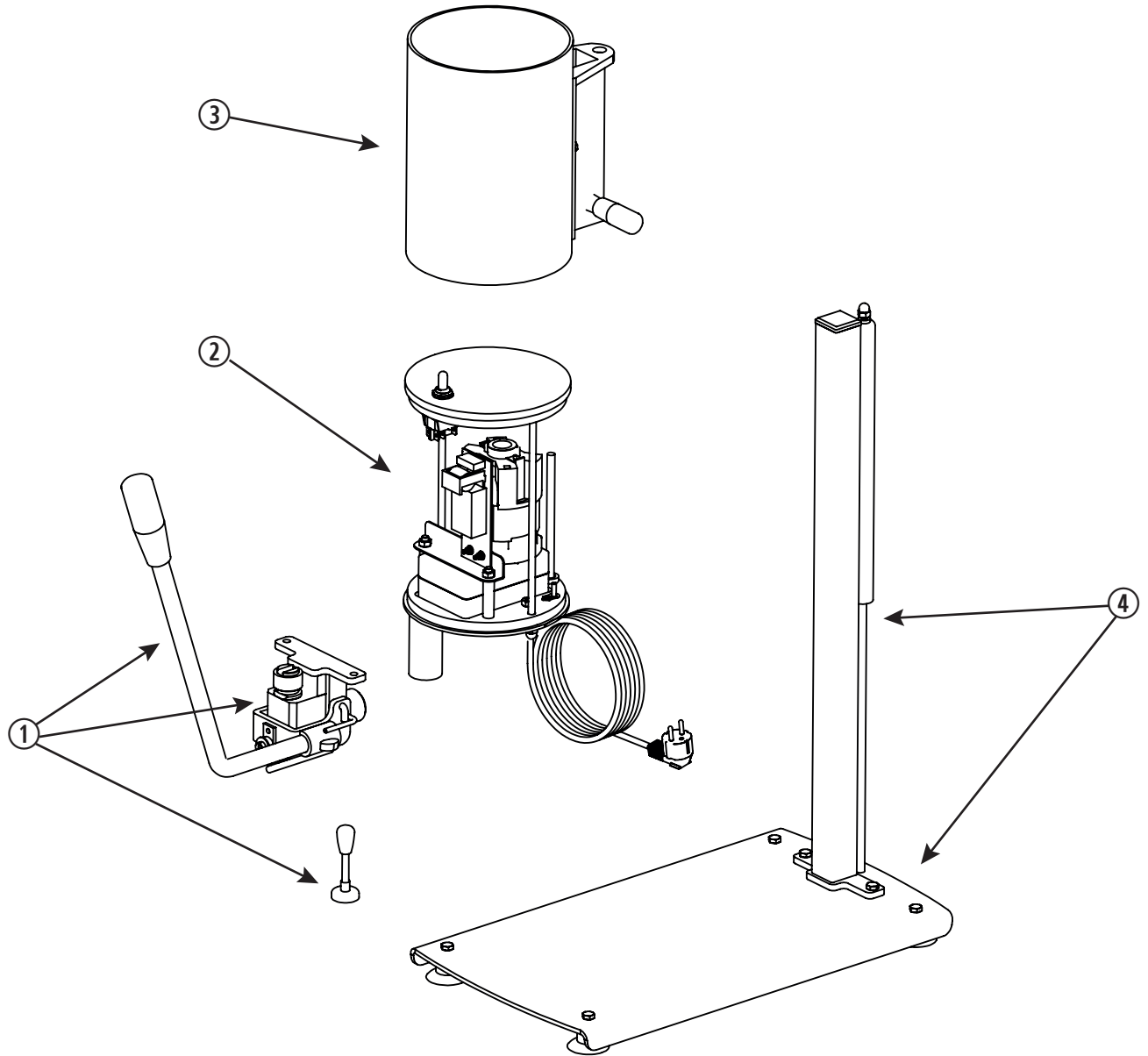
# **Explosionszeichnung**

## **Elektrischer Dosenöffner**

**Art.-Nr. 05-50525K**

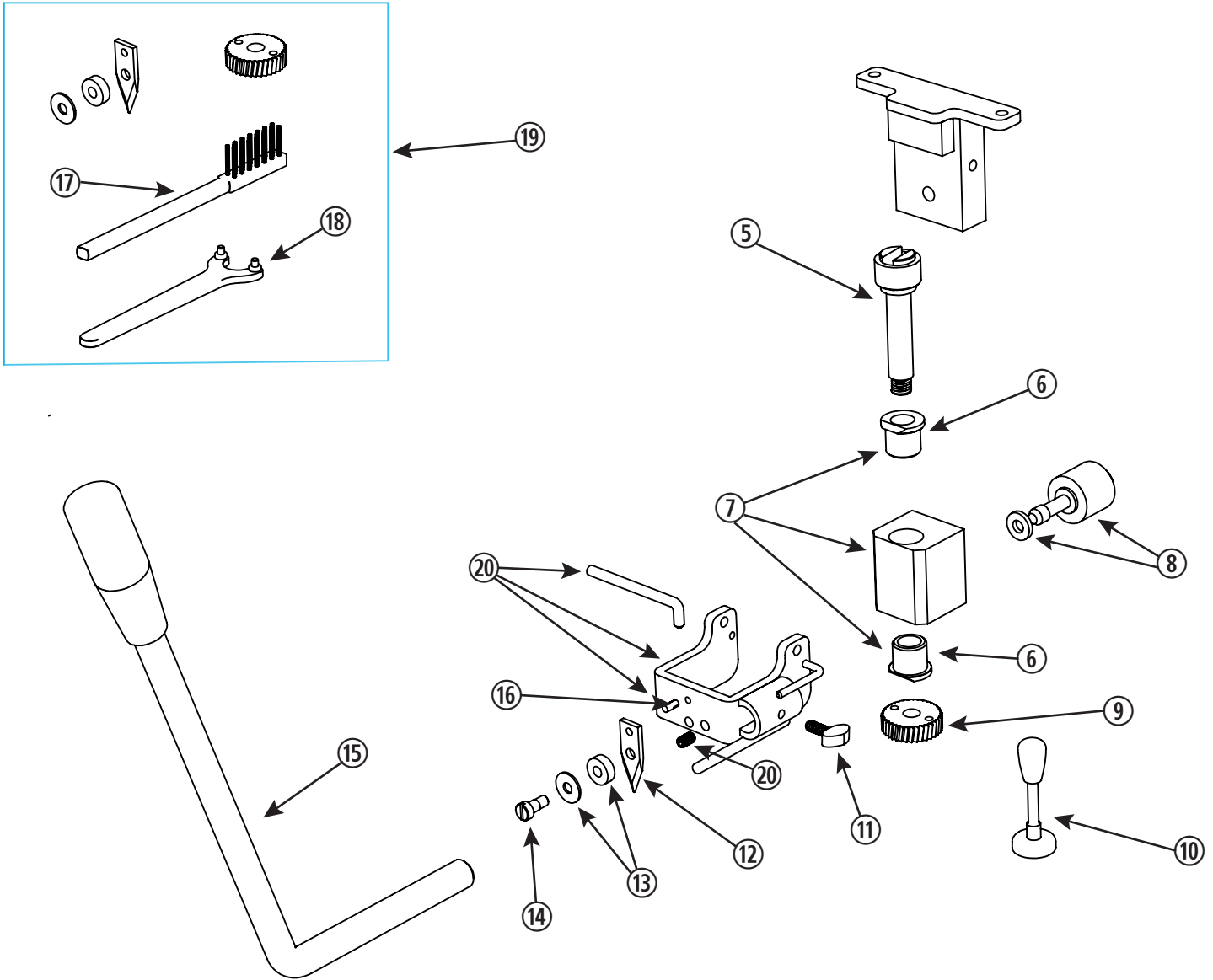
[www.neumaerker.de](http://www.neumaerker.de)

# OVERVIEW subassemblies



No.	SUBASSEMBLY	DESCRIPTION
1	A	OPENING HEAD + LEVER
2	B	MOTOR + FLANGES
3	C	MOTOR HOUSING
4	D	TABLE STAND + COLUMN

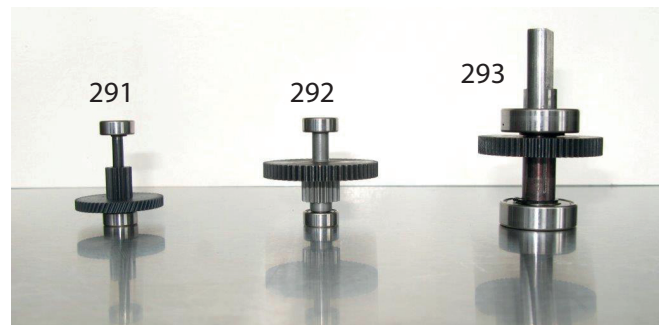
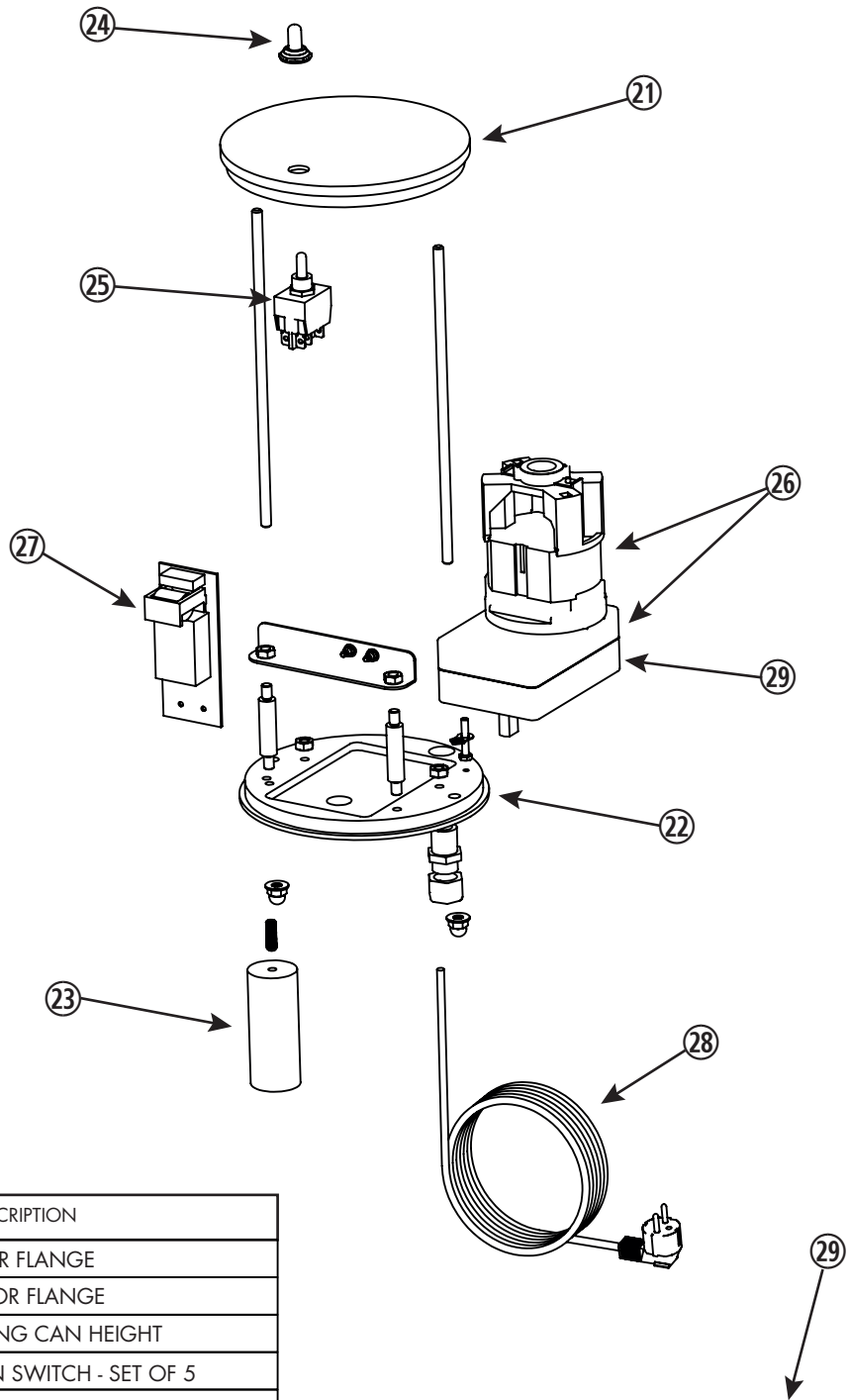
# SUBASSEMBLY A



No.	REFERENCE PIECE	DESCRIPTION
5	OE50011	AXLE / COG-WHEEL ROTATION
6	OE7551	HEAD PLASTIC RING - SET OF 2
7	OE50021	OPENING HEAD WITH RINGS
8	OE7520	CAPTIVE HEAD FIXATION SCREW + RING
9	OE7554-2	COG-WHEEL Ø 36 MM - SET OF 2
10	OE7445	MAGNET FOR LID
11	OE7559-3	SCREW FOR LEVER - SET OF 3
12	O2830-5	ST/ST BLADE - SET OF 5
13	O2873-5	COURBHANE + METAL RINGS - SET OF 5

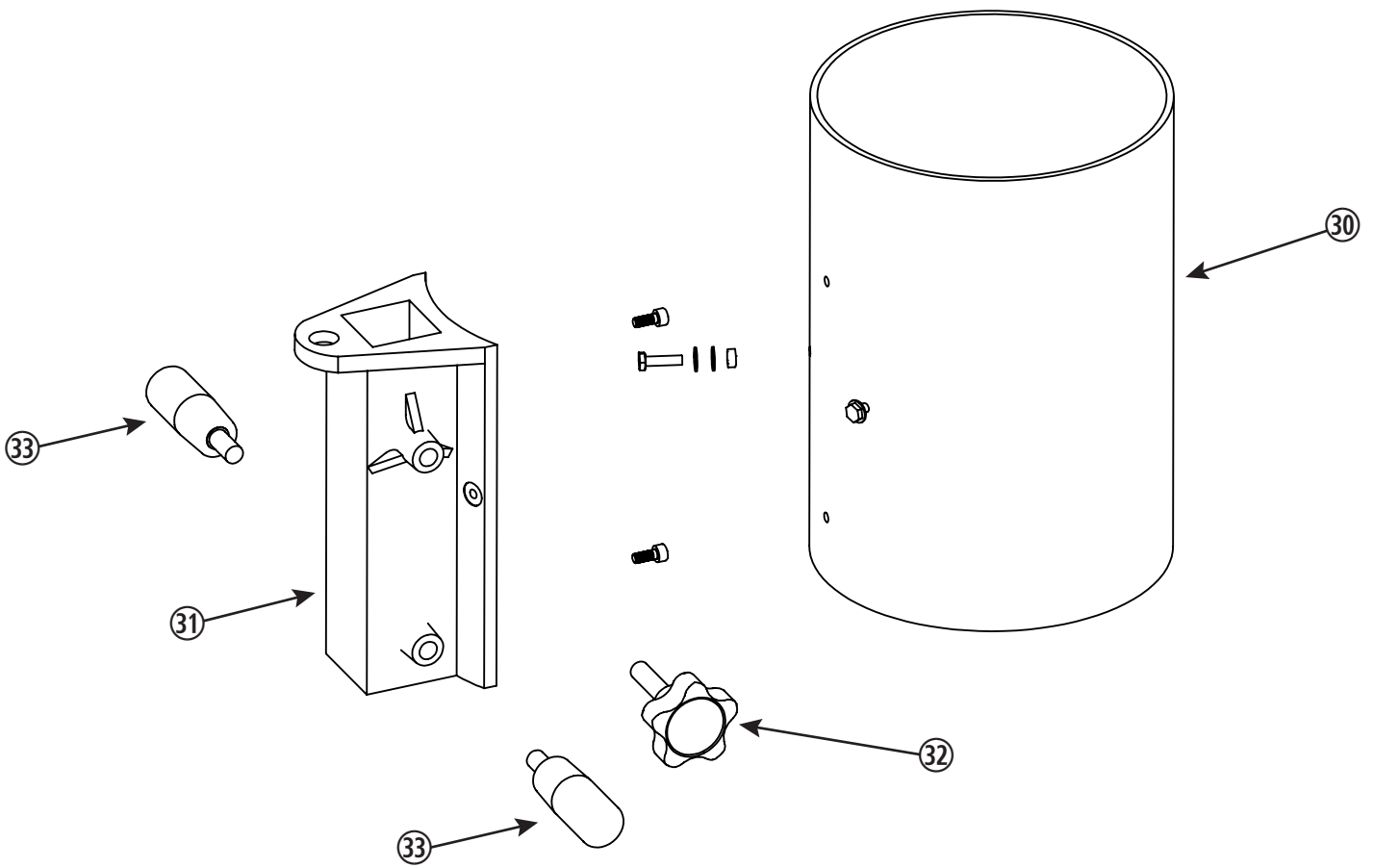
No.	REFERENCE PIECE	DESCRIPTION
14	OE7459-3	SCREW BLADE - SET OF 3
15	OE7441	LEVER + HANDLE
16	OE7231	BLADE PIN
17	OEX821	METALIC BRUSH
18	OE7589	REMOVE COG-WHEEL TOOL
19	OE896	KIT : COG-WHEEL Ø 36 MM - ST/ST BLADEL - RINGS METALIC BRUSH - REMOVE COG-WHEEL TOOL
20	OE7432	ARTICULATION U + ARTICULATION AXLE + BLADE PIN + ADJUSTING SCREW

# SUBASSEMBLY B



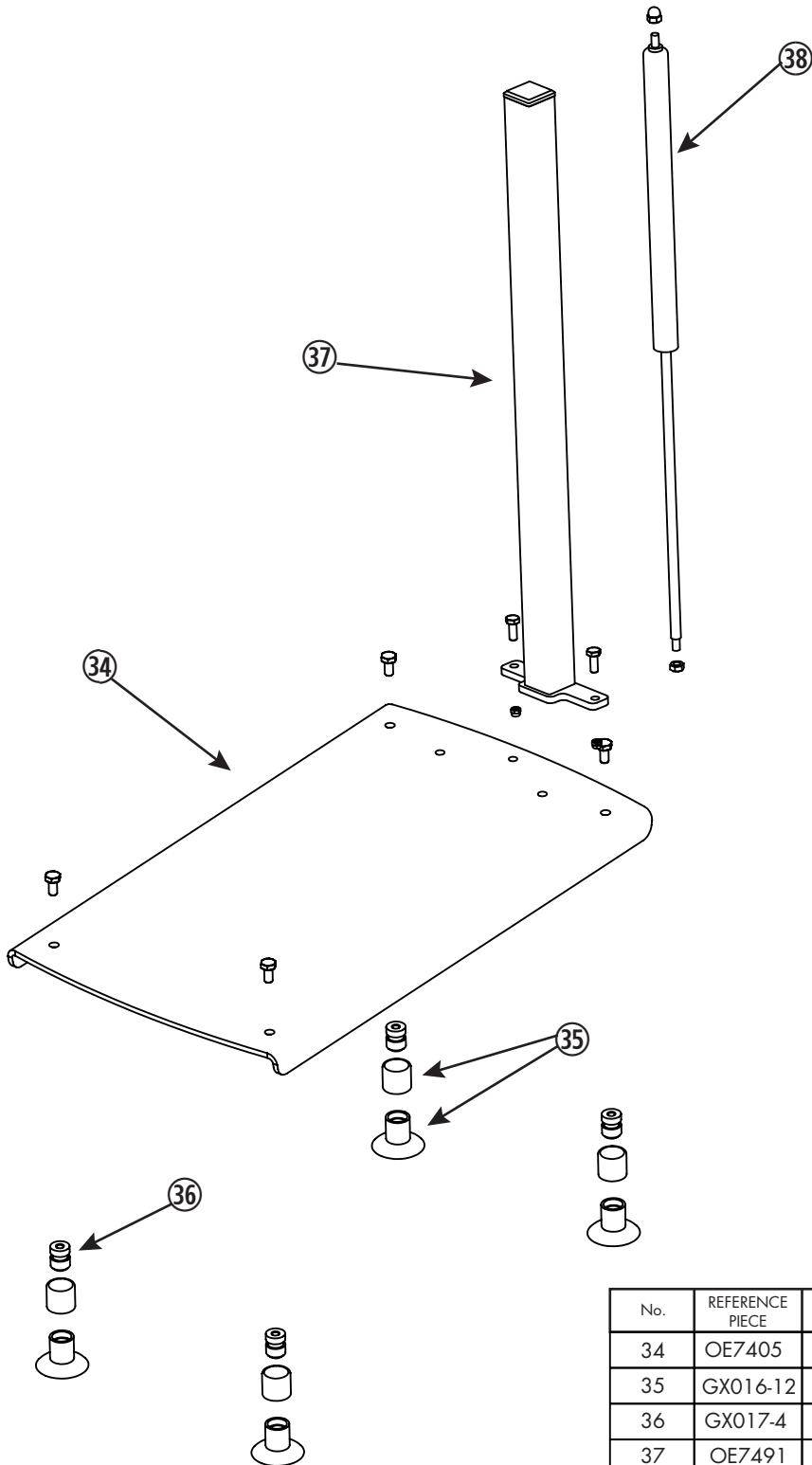
No.	REFERENCE PIECE	DESCRIPTION	
21	OE7426	UPPER FLANGE	
22	OE50012	INFERIOR FLANGE	
23	OE50018	ADJUSTING CAN HEIGHT	
24	OE7434-5	PROTECTION SWITCH - SET OF 5	
25	OE7435	INTERRUPTOR (without protection cap)	
26	OE50020	MOTOR UNIT - without housing	
27	OE50030	ELECTRONIC CARD + FILTER	
28	OE57257	POWER CABLE	
29	291	OE50075	SMALL GEAR
	292	OE50070	MID GEAR
	293	OE50065	LARGE GEAR

# SUBASSEMBLY C



No.	REFERENCE PIECE	DESCRIPTION
30	OE50014	MOTOR HOUSING ALONE
31	OE7417	SLIDING PLASTIC GUIDE
32	OE7518	HEIGHT SCREW STOP
33	OE7489-2	ADJUSTING HEIGHT HANDLE - SET OF 2

# SUBASSEMBLY D



No.	REFERENCE PIECE	DESCRIPTION
34	OE7405	ST/ST TABLE STAND - WITHOUT FEET
35	GX016-12	SUCTION + SUCTION RING - SET OF 12
36	GX017-4	ST/ST SHORT FEET - SET OF 4
37	OE7491	ST/ST COLUMN
38	OE7492	AIR SPRING