



Lohstr. 13 - 58675 Hemer / Postfach 4063 - 58663 Hemer  
Telefon: +49 2372 9274-0 Fax: +49 2372 3304  
DEUTSCHLAND

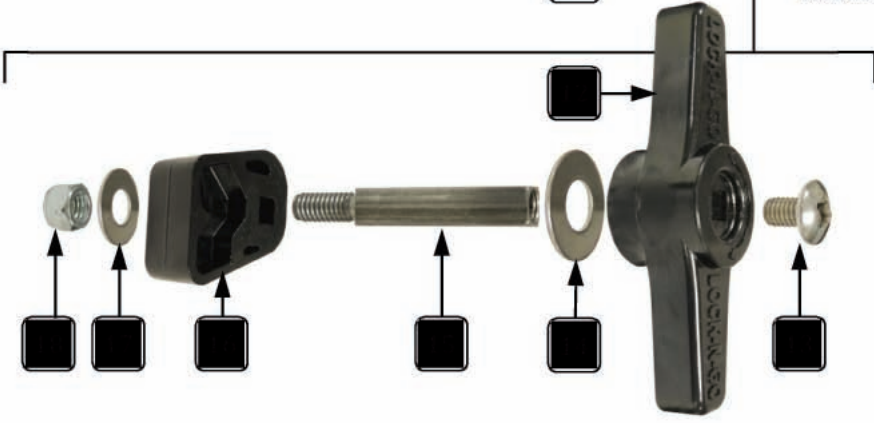
# Explosionszeichnung

## **Econo Floss**

**Art.-Nr. 00-51551, 00-51563**

[www.neumaerker.de](http://www.neumaerker.de)

# Cabinet Exterior and Lock-N-Go Handle Assembly

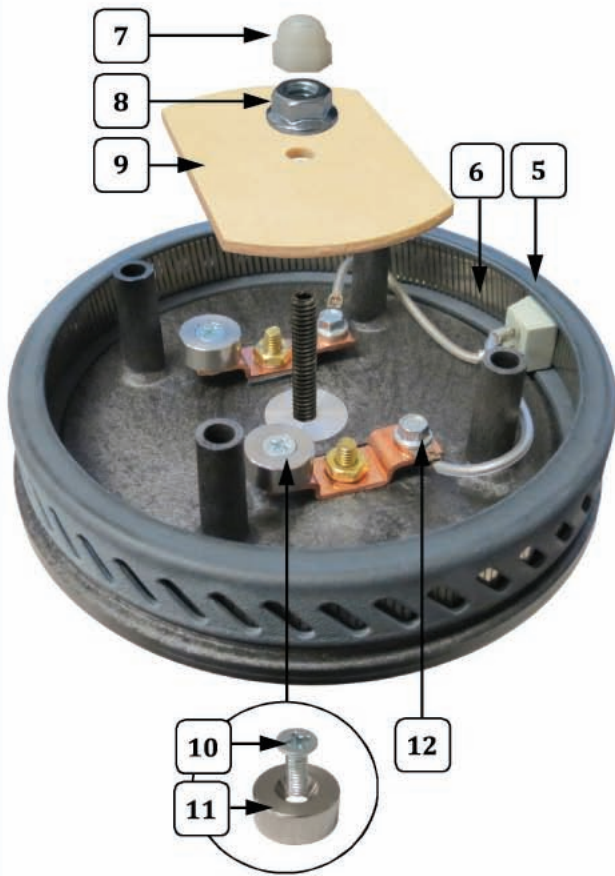
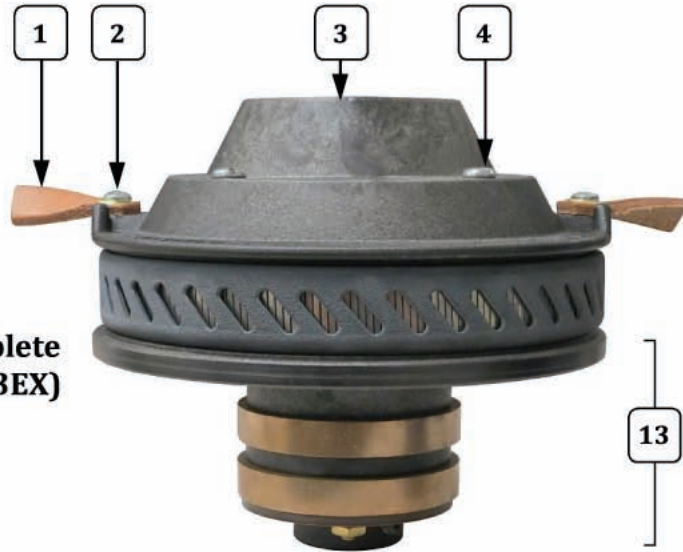


## Cabinet Exterior and Lock-N-Go Handle Assembly – Parts List

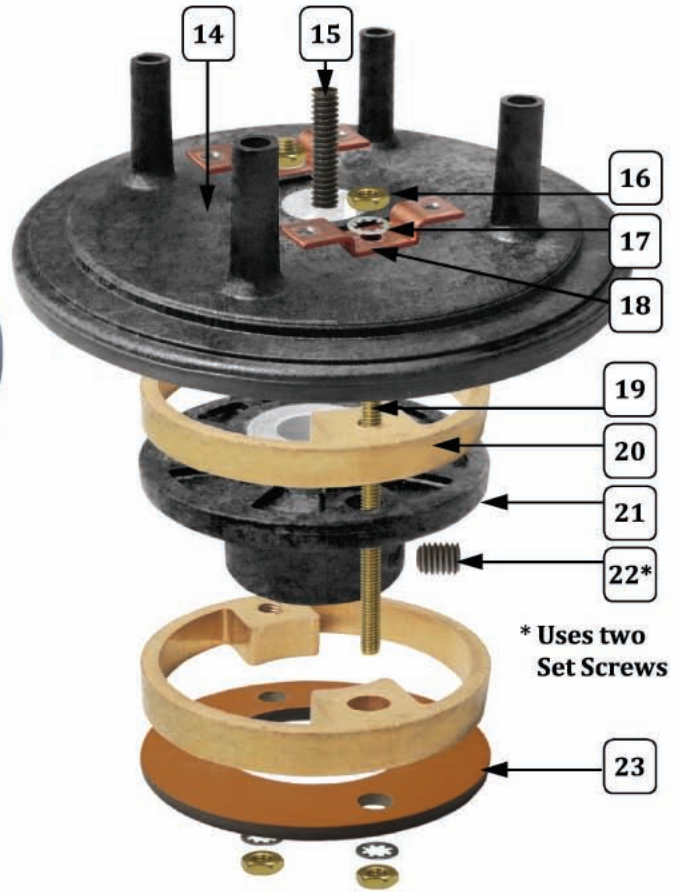
Item	Part Description	Part Number	
		3017-01-000	3024-01-000
1	SPINNER HEAD, TUBULAR 5IN (Complete Assy.) See Spinner Head Assembly section for individual parts breakdown.	42283EX	42283EX
2	BRUSH HOLDER ASSY (includes Brushes, Caps and Holders) See Brush Assembly Breakdown section for individual parts breakdown.	42383W	42383W
3	BELL HOUSING, DUAL BRUSH	42190	42190
4	LABEL,FLOSS ADVERTISEMENT	42159	42159
5	BOWL, SEAL RETAINER	56561	56561
6	BELL HOUSING SEAL	56571	56571
7	THREADED BUMPER,1/4-20	102017	102017
8	NAME,INSTRUCTION OVERLAY	102027	102023
9	SWITCH, LIGHTED ROCKER GR	42798	42798
10	KNOB, PAKTRONIC CONTROL	40793	40793
11	RUBBER FEET 3/4IN HIGH (4 required)	47155	47155
12	LOCK N GO HANDLE, NEW CAB.	56563	56563
13	5/16-18 X 1/2 PH TR M/S	12183	12183
14	WASHER SS .5 ID X 1.10 OD	48428	48428
15	CLAMPING SHAFT, LOCK N GO	56565	56565
16	CLAMPING CAM	42460	42460
17	5/16 FLAT WASHER ZINC PLT	74134	74134
18	HEX NUT 5/16-18 ESLOK	12001	12001
19	N/A	N/A	N/A
20*	IEC SCHUKO POWER CORD	42372	42372
21	IEC CONNECTOR,FLANGED	102013	102013
22	WARNING LABEL CORD	68720	68720
23	8-32 X 3/8 PHIL PAN HEAD	87515	87515
24	1/4-20 X 3/4 GRADE 5 BOLT (w/Lock Washer)	74520	74520
25	TINNERMAN NUT 1/4-20	42125	42125
26	8-32 X 3/8 SLT. HWH M/S	42044	42044
27	#8-32 TINNERMAN FASTENER	47299	47299
28	INSPECTION BRUSH COVER	42381	42381
29	LABEL,CLEAN EVERY 500 LBS	42002	42002

# 5" Ribbon Spinner Head

**Spinner Head Complete  
(Model 42283EX)**



**Floss Head - Band Interior View**

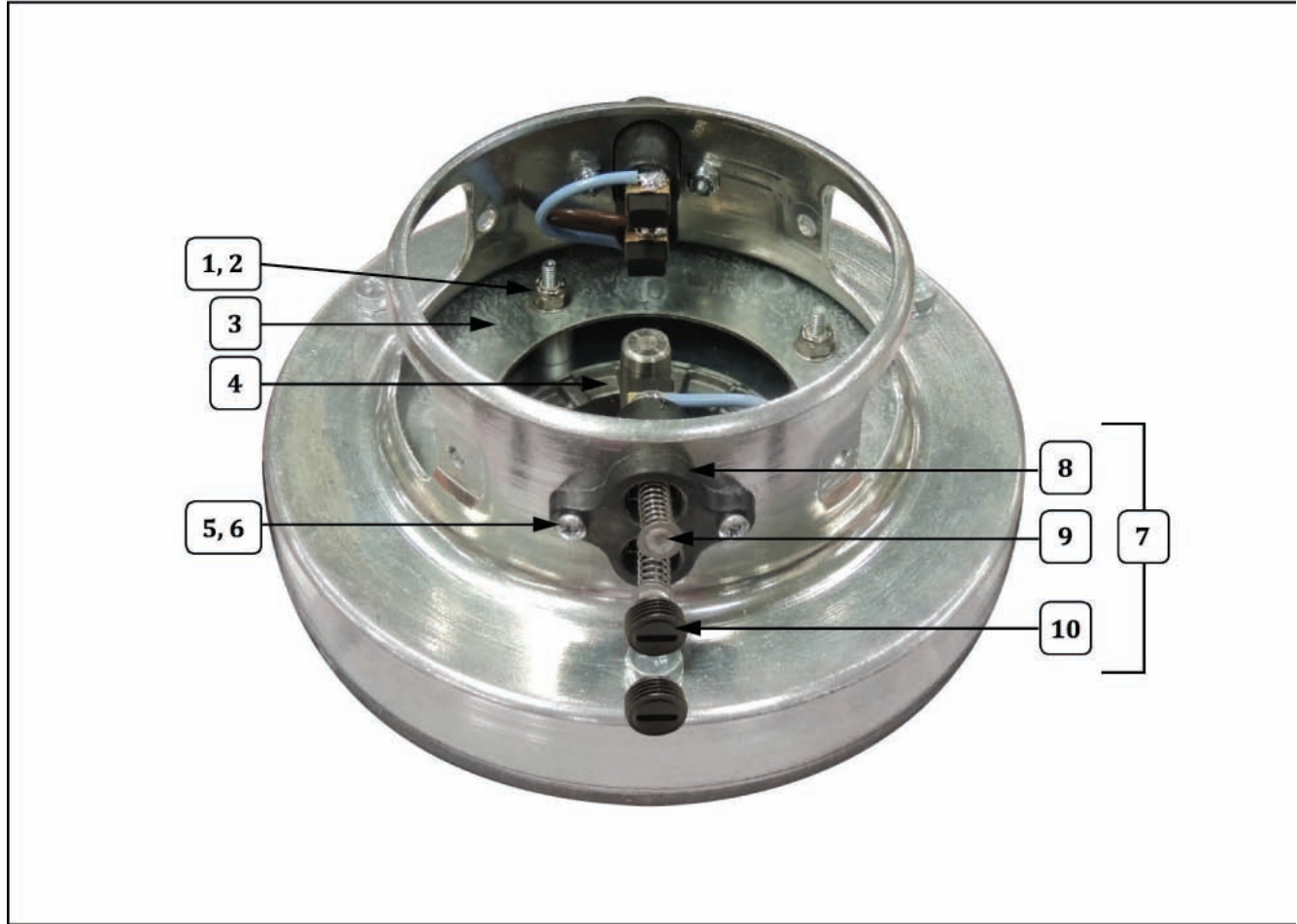


**Spinner Head Bottom**

## 5” Ribbon Spinner Head – Parts List

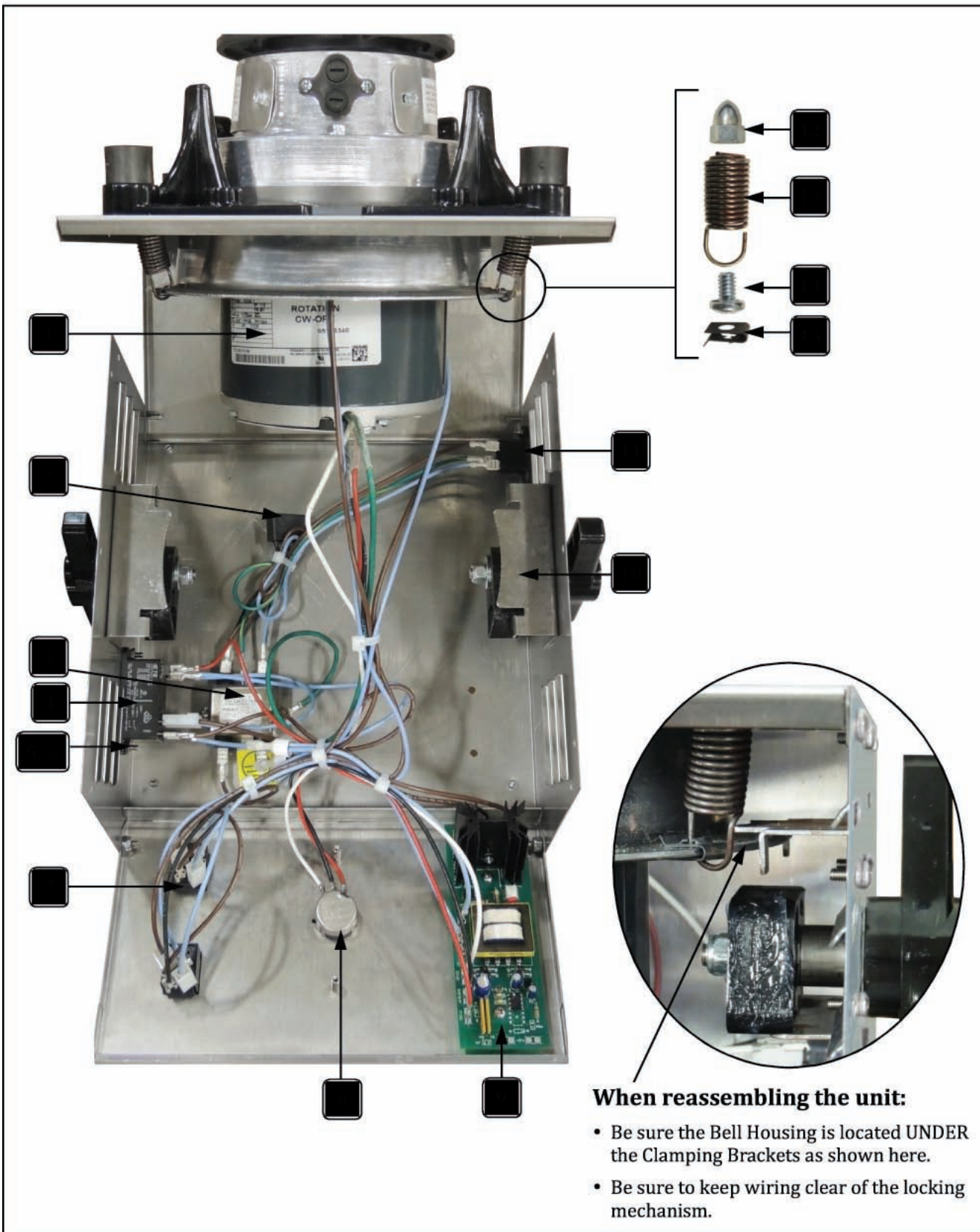
Item	Part Description	Part No.
		42283EX
1	LEATHER FLOATER	20010
2	SCREW 8-32 X 5/16 PH PAN MS	89247
3	HIGH CAPACITY SPINNER CAP	43166
4	10-24 X 2 PHIL/SLT MS	42041
5	5 1/2 FLOSS BAND	43165
6	5 INCH RIBBON ASSEMBLY	42370
7	1/4 - 20 NYLON ACORN NUT	48041
8	1/4 - 20 SERRATED LOCK NUT	46311
9	PHENOLIC TERMINAL GUARD	42162
10	8-32X1/2 FL HD PH MS	20066
11	BALANCE WEIGHT	43422
12	8-32 X 1/4 HX HD WHIZ LOCK	42045
13	SPINNER HEAD BOTTOM (Complete assembly includes 2 element lead screws, Terminal Guard, Nylon Nut, Lock Nut, and items listed below.)	42284
14	UPPER SPINNER HEAD	42437
15	1/4 - 20 x 2IN SET SCREW	42311
16	HEX NUT #10-32 BRASS	42301
17	#10 INTERNAL TOOTH WASHER	12573
18	TERMINAL ASSEMBLY	42305
19	SLIP RING STUD	42127
20	SLIP RING 3/8 INCH	42126
21	LOWER SPINNER HEAD 1/2	42281
22	SET SCREW 1/4-20 X 3/8 (2 required for the Lower Spinner Head)	74125
23	BOTTOM PHENOLIC WASHER	20054

## Bell Housing Interior – Brush Assembly



Item	Part Description	Part Number	
		3017-01-000	3024-01-000
1	HEX NUT #10-24 ESLOK	74691	74691
2	.188ID FLATWASHER	77052	77052
3	MOTOR MTG PLATE	42119	42119
4	MOTOR, FLOSS MACHINE	48649EX	48649EX
5	6-32 X 1/2 PH PAN HD M/S	47516	47516
6	6-32 GRIP NUT ZINC PLATED	47517	47517
7	BRUSH HOLDER ASSEMBLY (includes Brushes, Caps and Holders)	42383W	42383W
8	DUAL BRUSH HOLDER W/LEADS	42384W	42384W
9	CARBON BRUSH	55007	55007
10	CAP, BRUSH HOLDER	42138	42138

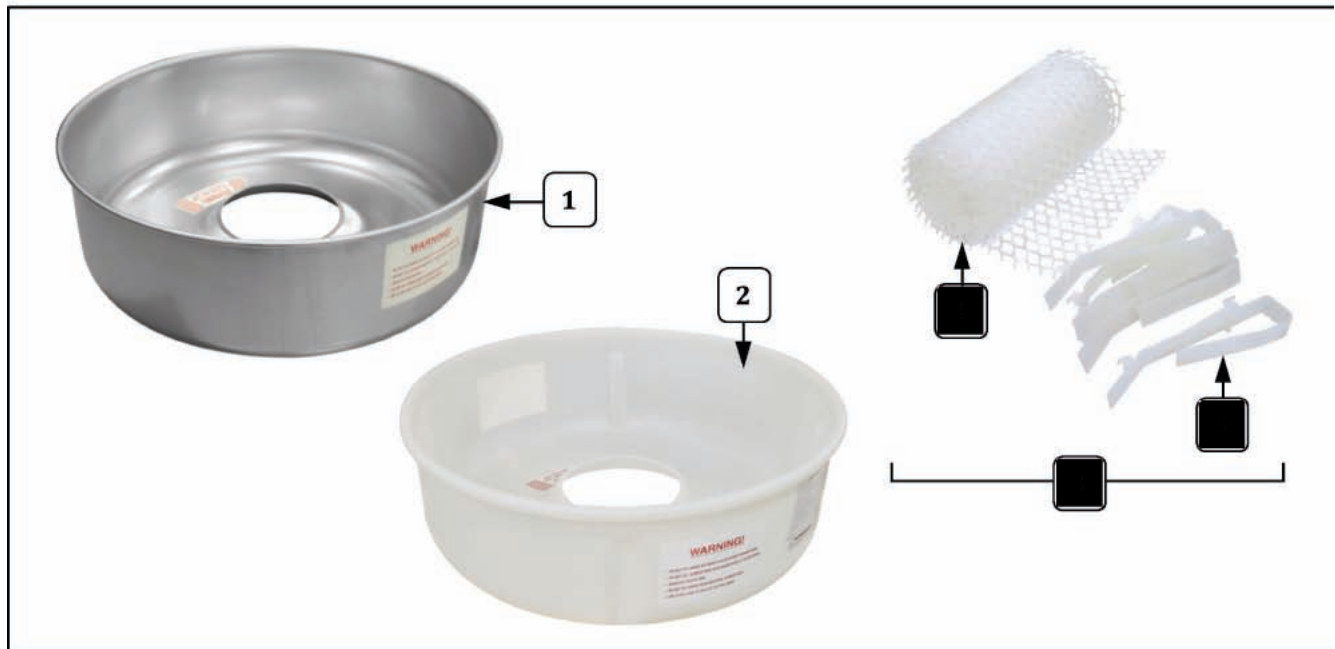
# Cabinet Interior – Parts Breakdown



## Cabinet Interior - Parts List

Item	Part Description	Part Number	
		3017-01-000	3024-01-000
1	MOTOR, FLOSS MACHINE	48649EX	48649EX
2	1UF 250VAC CAPACITOR	55515	55515
3	10 AMP EMI FILTER	13302	13302
4	RELAY, 240VAC, DPST-NO	48590EX	48590EX
5	6-32 X 3/8 PHIL PAN M/S	39000	39000
6	6-32 GRIP NUT ZINC PLATED	47517	47517
7	SWITCH, LIGHTED ROCKER GR	42798	42798
8	1000 OHM POTENTIOMETER ASSEMBLY	55332	55332
9	ELECTRONIC HEAT CONTROL	55260	55260
10	CLAMPING BRACKET ASSY	56578	56578
11	IEC CONNECTOR, FLANGED	102013	102013
12	ACORN NUT 1/4-20	49068	49068
13	SPRING, SUSPENSION MEDIUM	42524	42524
14	SCREW 1/4-20X3/8 PN HD PH	42360	42360
15	10-24 TINNERMAM FASTENER	42221	42221

## Floss Pan and Whirlgrip Stabilizer



Item	Part Description	Part Number	
		3017-01-000	3024-01-000
1	FLOSS PAN (aluminum)	42040	
2	FLOSS PAN (non-metal)		42040NMR
3	WHIRLGRIP STABILIZER (Includes Floss Stabilizer and Clips)	3010	3010NM
4	FLOSS STABILIZER (Web)	43032	43032NM
5	WHIRLGRIP CLIPS	77470	77470



# Wiring Diagram

